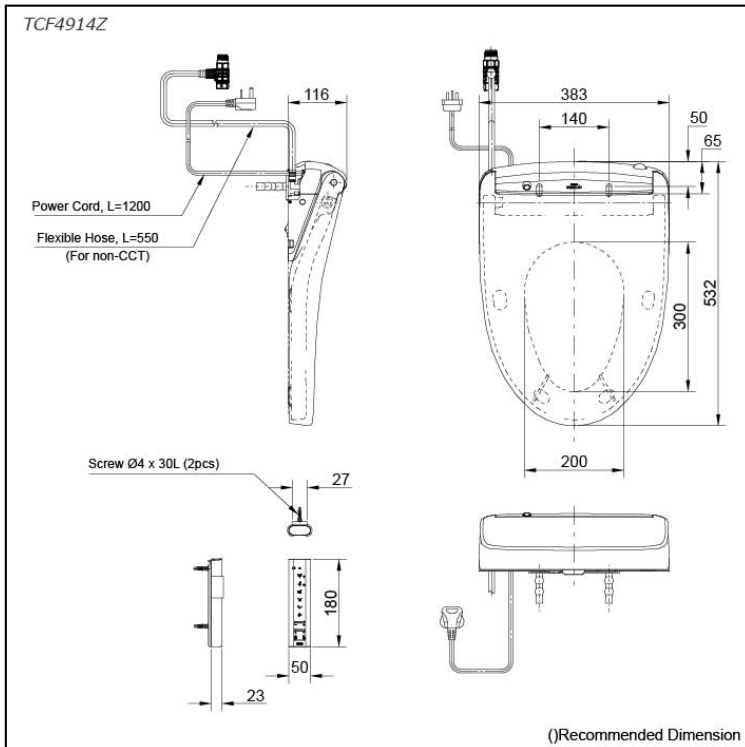


WASHLET S7



Features

- EWATER+ spreads out and keeps clean toilet bowl and nozzle by preventing bacterial with sanitizing effect
- Auto lid opening and closing
- Maximized comfort function with new wide front and pulsating cleansing
- Fully equipped with comfortable rear, front and oscillating cleansing functions
- Build-in with Motion Sensor - Infrared technology
- Infrared Sensor for remote control capabilities
- Adjustable WARM AIR DRYING
- HEATED SEAT with temperature control
- Auto powerful DEODORIZER activates after every usage

EWATER+ is made from tap water by electrolyzed chloride ion without any chemicals. After use, it returns to normal water in the state of safe and environmental friendly

Specifications

Bowl Shape:	Elongated
Water Pressure:	0.05Mpa~0.75Mpa
Power Rating:	220~240V , 50/60Hz, 830~839W
Length of Power Cord:	1.2 m
Material:	Plastic
Size:	383W x 532D x 116H mm

Parts description

- **TCF4914Z**
WASHLET
Elongated

Matching Toilets

- CW822RA

Colors

White